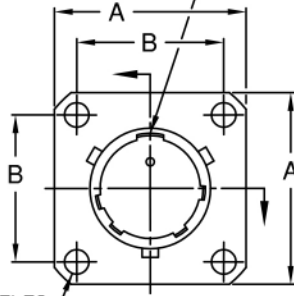


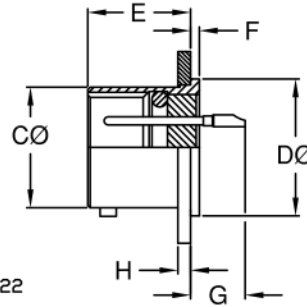
MINIATURE HERMETIC ELECTRONIC CONNECTORS-DT SERIES

MIL-DTL-26482 TYPE, COMMERCIAL EQUAL HERMETIC GLASS-TO-METAL SEALED (VACUUM / PRESSURE FEED THRU)

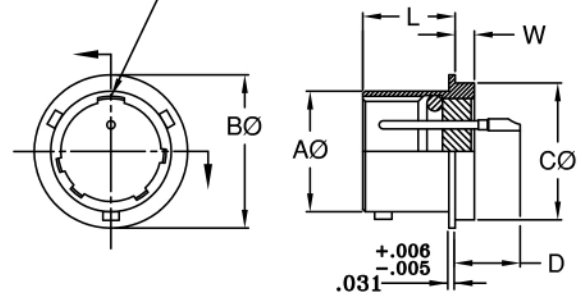
MAIN POLARIZING KEYWAY



4 HOLES
.120 \pm .005 - SHELL SIZES 8 THRU 22
.147 \pm .005 - SHELL SIZE 24



MAIN POLARIZING KEYWAY



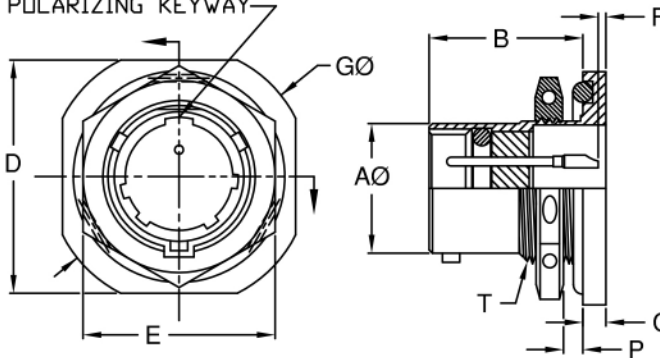
PART NO.	A \pm .016	B TYP.	C ϕ +.001 -.005	D ϕ +.001 -.005	E +.025 -.015	F \pm .016	G MAX.	H \pm .016
DT02H-8- \ast PN	.812	.594	.473	.562	.494	.047	.344	.062
DT02H-10- \ast PN	.938	.719	.590	.672	.494	.047	.344	.062
DT02H-12- \ast PN	1.031	.812	.750	.781	.494	.047	.344	.062
DT02H-14- \ast PN	1.125	.906	.875	.906	.494	.047	.344	.062
DT02H-16- \ast PN	1.219	.969	1.000	1.031	.494	.047	.344	.062
DT02H-18- \ast PN	1.312	1.062	1.125	1.156	.494	.047	.344	.062
DT02H-20- \ast PN	1.438	1.156	1.250	1.220	.556	.047	.344	.094
DT02H-22- \ast PN	1.562	1.250	1.375	1.340	.556	.079	.377	.094
DT02H-24- \ast PN	1.688	1.375	1.500	1.470	.588	.079	.377	.094

DT02H - FLANGE MOUNT CONNECTORS (MS3112 CLASS H TYPE)

PART NO.	A ϕ +.001 -.005	B ϕ MAX.	C ϕ +.001 -.005	D MAX.	L +.025 -.016	W +.011 -.010
DT1H-8- \ast PN	.473	.636	.562	.386	.447	.094
DT1H-10- \ast PN	.590	.761	.672	.386	.447	.094
DT1H-12- \ast PN	.750	.855	.781	.386	.447	.094
DT1H-14- \ast PN	.875	.980	.906	.386	.447	.094
DT1H-16- \ast PN	1.000	1.105	1.031	.386	.447	.094
DT1H-18- \ast PN	1.125	1.229	1.156	.386	.447	.094
DT1H-20- \ast PN	1.250	1.323	1.250	.386	.509	.094
DT1H-22- \ast PN	1.375	1.449	1.375	.418	.509	.125
DT1H-24- \ast PN	1.500	1.574	1.500	.418	.542	.125

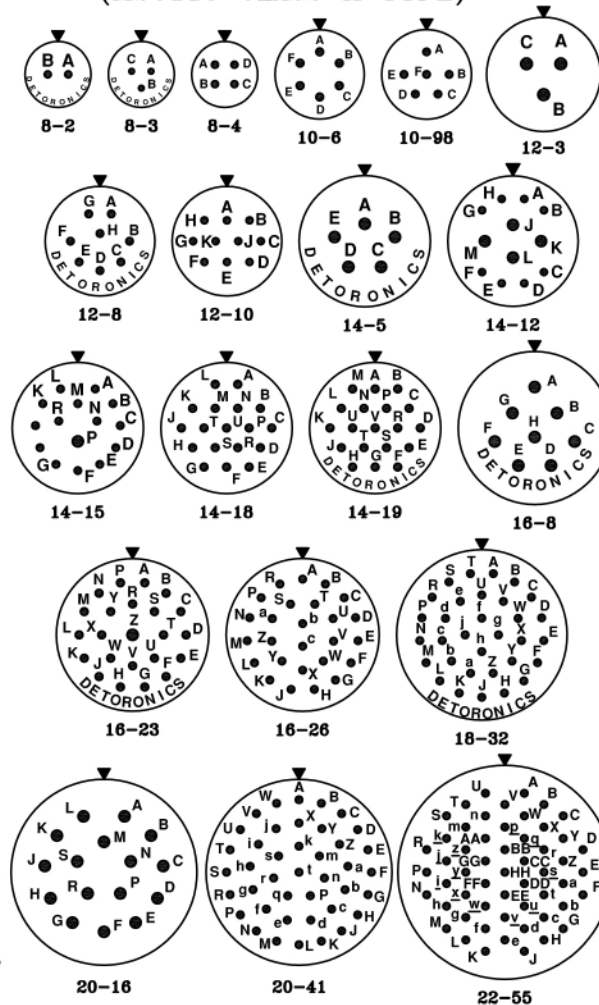
DT1H - SOLDER MOUNT CONNECTORS (MS3113 CLASS H TYPE)

MAIN POLARIZING KEYWAY



PART NO.	A ϕ +.001 -.005	B +.031 -.000	C \pm .020	D MAX.	E HEX \pm .017	F PIN \pm .030	G ϕ +.000 -.032	P PANEL THK. MIN. MAX.	T THREAD \dagger UNEF-2A
DT07H-8- \ast PN	.473	.691	.117	.954	.750	.025	1.078	.062 .125	.5625-24
DT07H-10- \ast PN	.590	.691	.117	1.078	.875	.025	1.203	.062 .125	.6875-24
DT07H-12- \ast PN	.750	.691	.117	1.266	1.062	.025	1.391	.062 .125	.875-20
DT07H-14- \ast PN	.875	.691	.117	1.391	1.188	.025	1.516	.062 .125	1.000-20
DT07H-16- \ast PN	1.000	.691	.117	1.516	1.312	.025	1.641	.062 .125	1.125-18
DT07H-18- \ast PN	1.125	.691	.117	1.641	1.438	.025	1.766	.062 .125	1.250-18
DT07H-20- \ast PN	1.250	.879	.148	1.828	1.562	.190	1.954	.062 .250	1.375-18
DT07H-22- \ast PN	1.375	.879	.148	1.954	1.688	.190	2.078	.062 .250	1.500-18
DT07H-24- \ast PN	1.500	.912	.148	2.078	1.812	.220	2.203	.062 .250	1.625-18

DT07H - JAM NUT MOUNT CONNECTORS (MS3114 CLASS H TYPE)



ENGAGING FACE PIN INSERTS

Detronics Corporation
13071 ROSECRANS AVE, SANTA FE SPRINGS, CA 90670
TELE: (626) 579-7130 FAX: (626) 579-1936
www.detronics.com